

FUTEK MODEL MAU300

Drawing Number: FI1035-A

INCH [mm] | R.O.= Rated Output

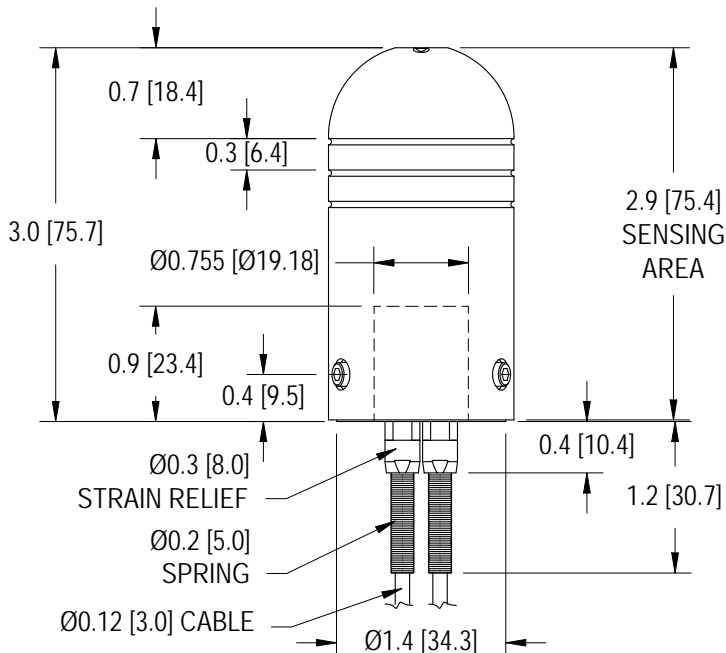
WIRING CODE (WC 1)

+Excitation	-Excitation	+Signal	-Signal
RED	BLACK	GREEN	WHITE

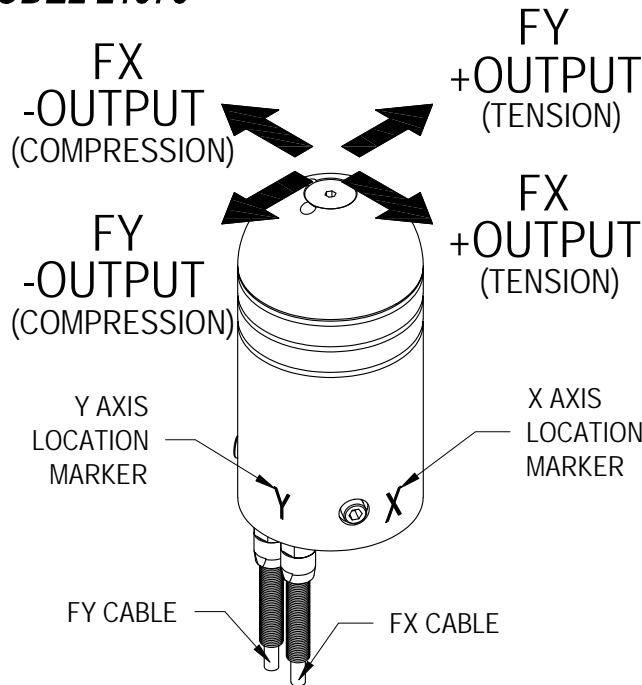
Shield
FLOATING

Ø1.5 [Ø37.6]

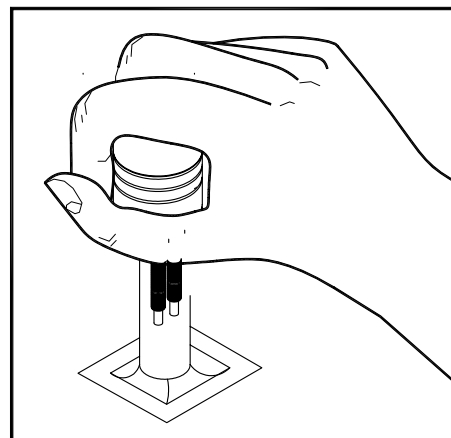
3X #10-32 SET SCREW
EQUALLY PLACED
FOR MOUNTING



STICK SHIFT / GEAR SHIFT KNOB LOAD CELL PREVIOUSLY MODEL L1070



STICK SHIFT APPLICATION

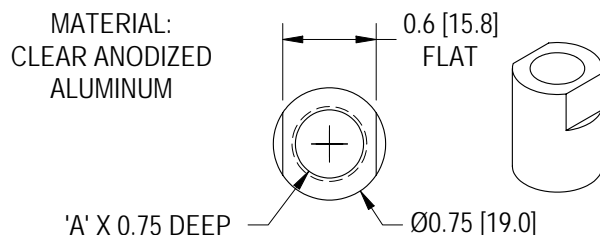


SPECIFICATIONS:

RATED OUTPUT	2 mV/V nom.
SAFE OVERLOAD	150% of R.O.
ZERO BALANCE	±1% of R.O.
EXCITATION (VDC OR VAC)	20 MAX
BRIDGE RESISTANCE	350 Ω nom.
NONLINEARITY	±0.25% of R.O.
NONREPEATABILITY	±0.25% of R.O.
TEMP. SHIFT ZERO	±0.02% of R.O./°F [0.036% of LOAD/°C]
TEMP. SHIFT SPAN	±0.02% of LOAD/°F [0.036% of LOAD/°C]
COMPENSATED TEMP.	60 to 160°F [15 to 72°C]
OPERATING TEMP.	-40 to 160°F [-40 to 72°C]
WEIGHT	9 oz [255 g]
MATERIAL	Anodized Aluminum
CABLE: 2) 28 AWG, 4 Conductor Braided Shielded PVC Cable, 10 ft [3m] long	
CALIBRATION (STANDARD)	5pt. TENSION, 60.4 KΩ SHUNT CAL. VALUE
CALIBRATION (AVAILABLE)	5pt. COMPRESSION

STOCK #	CAPACITY	
	lb	N
FSH00941	10	45
FSH00942	25	111
FSH00943	50	222
FSH00944	100	445
FSH01985	200	890

GEAR SHIFT ADAPTER ACCESSORIES



STOCK #	'A'
MCP01427	5/16-18
MCP01428	3/8-16
MCP01429	3/8-24
MCP01430	1/2-20
MCP01431	M8x1.25
MCP01432	M10x1.25
MCP01473	M12x1.25